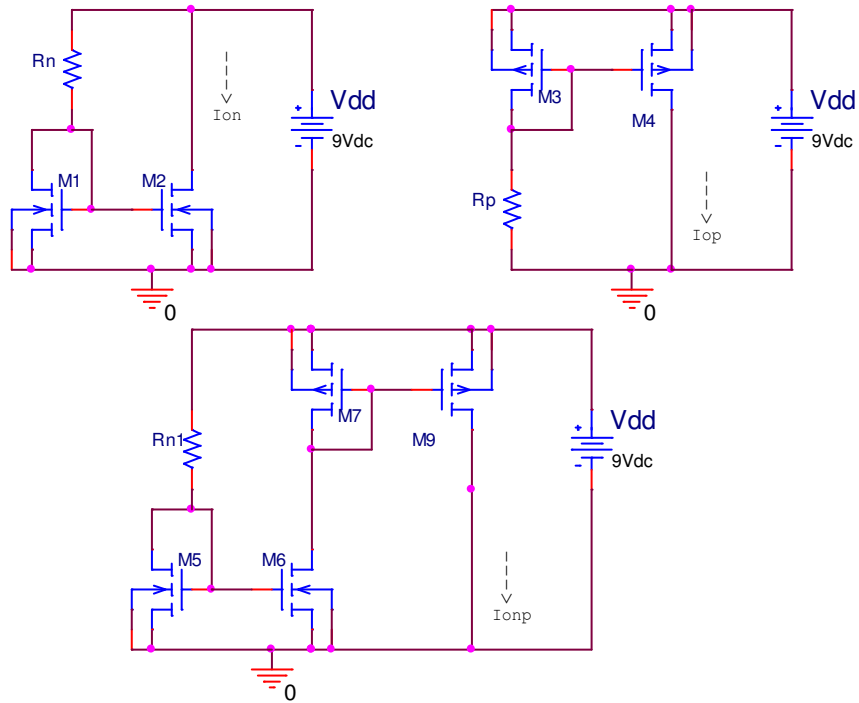


1. 50 points (current mirrors)

For the following current mirrors using the 4007 CMOS transistors,

- Calculate the resistance needed to give an output current of 3mA. Then run Spice and discuss any differences between the design (ie. calculated) and simulations..
- Repeat when the transistors are replaced by 2N3904/2N3906 ones.



2. 50 points (amplifier)

Bias the 4007 in the following circuit to have a Q point at $V_{GS}=3V$, $V_{DS}=5V$. For this assume an $R_S=50\Omega$, $V_{dd}=9V$, and one of R_a or R_b of $10M\Omega$. Check using Spice. Give the small signal low frequency voltage gain, $A_v=V_{20}/V_{10}$.

