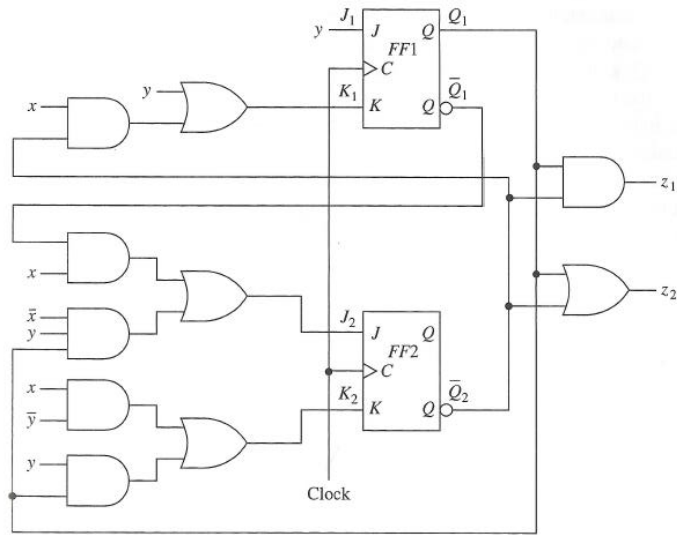


Class Exercise—Analysis of Sequential Network

11/23/15

Figure 2

Circle one:
Mealy or
Moore



Excitation and Output Expressions:

Transition Equations:

Class Exercise—Analysis of Sequential Network

11/23/15

Characteristic Equations:

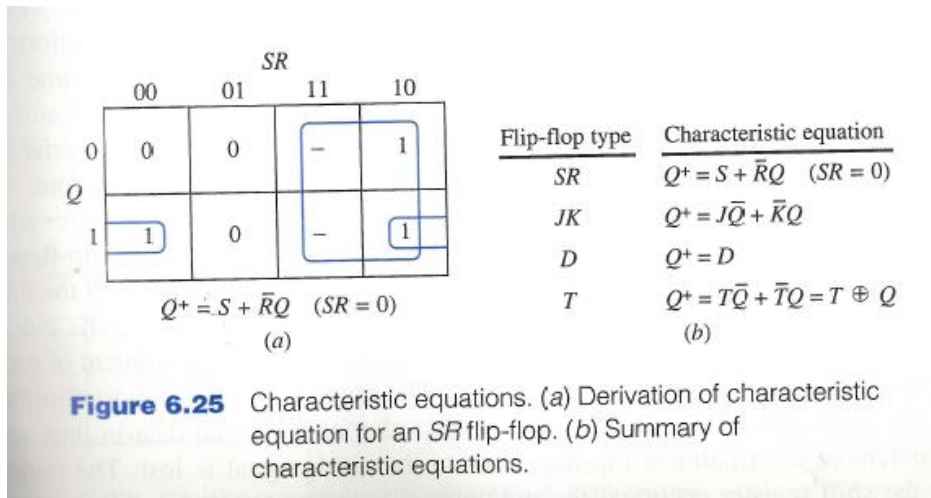


Figure 6.25 Characteristic equations. (a) Derivation of characteristic equation for an SR flip-flop. (b) Summary of characteristic equations.