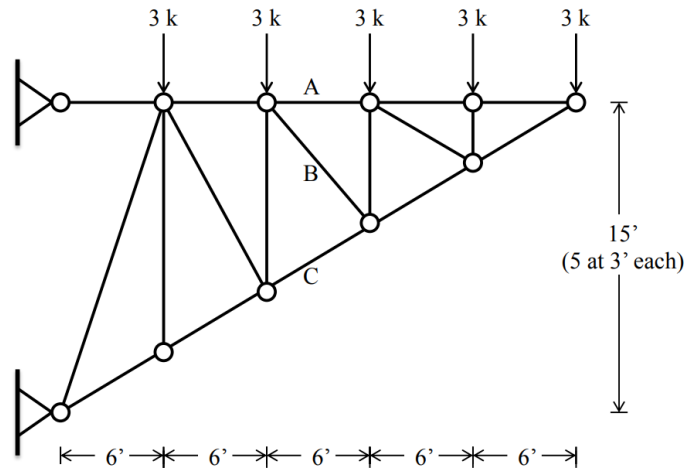


Homework 2

Due: February 23, 11.59 pm.

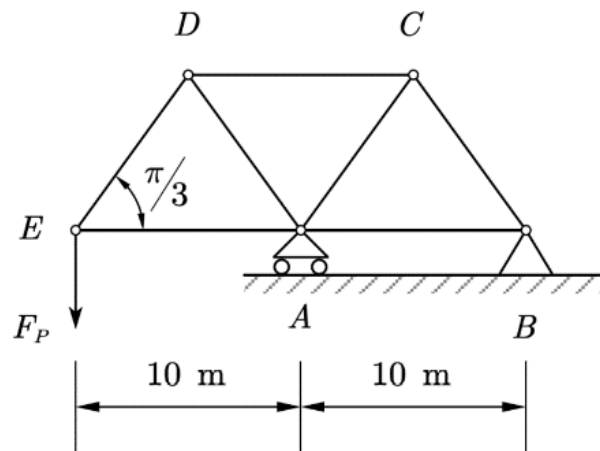
**Question 1: 5 points**

Using method of sections, determine the forces in members A, B, and C. State if the members are in tension or compression.



**Question 2: 10 points**

If the maximum force that any member can support is 17 kips in tension and 12 kips in compression, determine the maximum force  $F_P$  can be applied on the following structure (all the angles are  $\pi/3$ ).



**Question 3: 15 points**

Determine the shear and moment throughout the beam. Draw the shear and moment diagrams for the beam. Draw the deflected shape of the beam.

