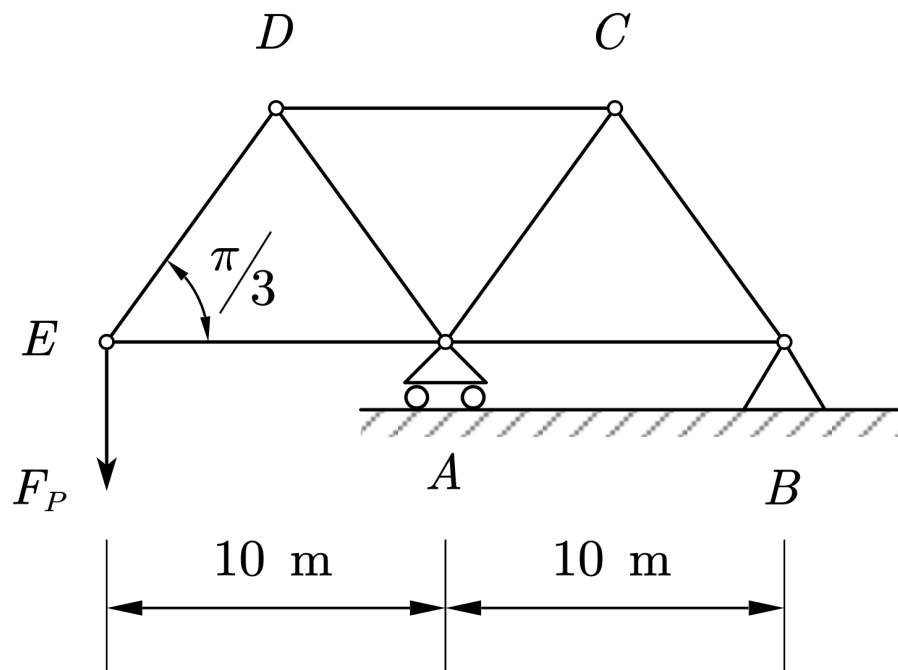


Homework 2
(Due: October 8, 2021)

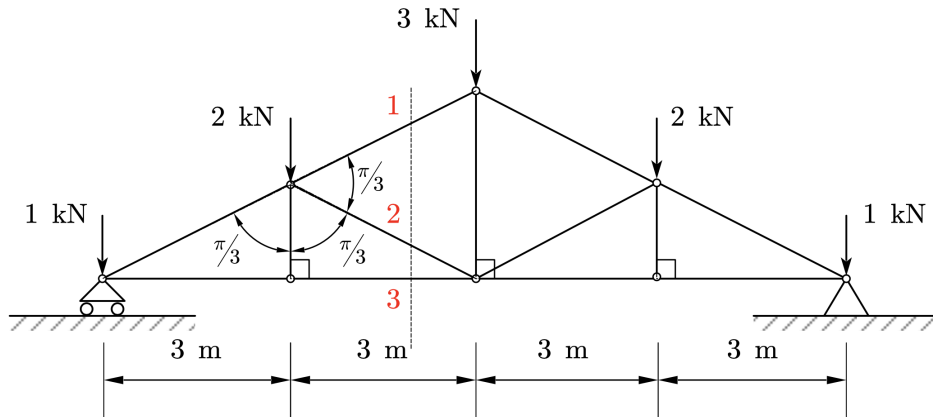
Question 1: 10 points

If the maximum force that any member can support is 10 kN in tension and 7 kN in compression, determine the maximum force F_P that can be applied on the following structure (all the angles are $\pi/3$).



Question 2: 10 points

Use method of section to solve for the forces in members 1, 2 and 3.



Question 3: 10 points

Determine the shear and moment throughout the beam. Draw the shear and moment diagrams for the beam. Draw the deflected shape of the beam.

