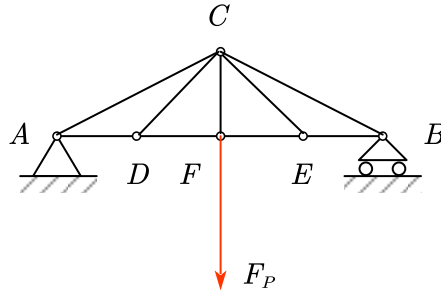
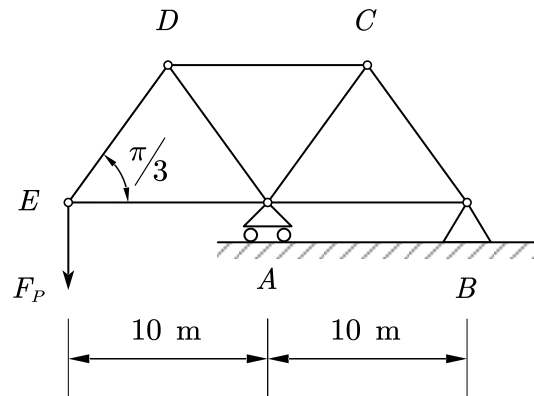


Homework #2

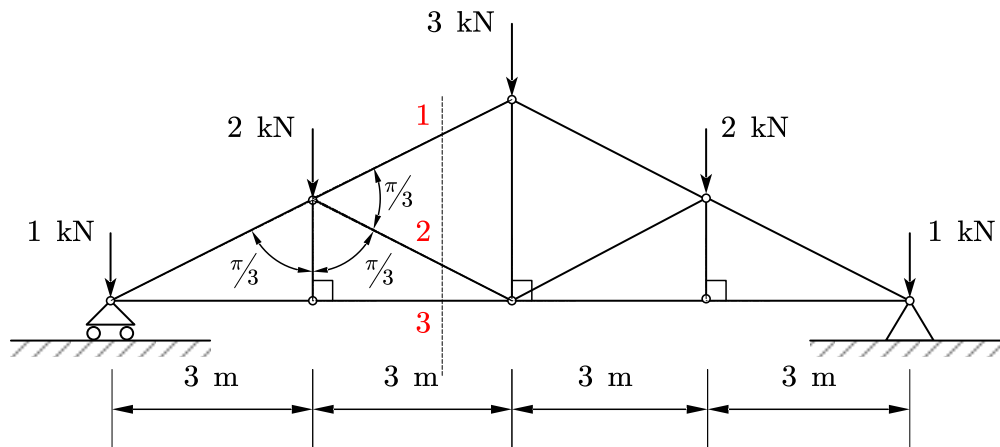
Problem 1: Find the zero force members in the following truss structure.



Problem 2: If the maximum force that any member can support is 12 kips in tension and 8 kips in compression, determine the maximum force F_P can be applied on the following structure (all the angles are $\pi/3$).



Problem 3: Use *method of section* to solve for the forces in members 1, 2 and 3.



Problem 4: Plot the moment diagram for the following structures. Please include essential calculation details.

